

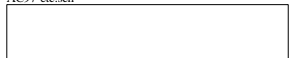
core  
Tiny6410.sch



DM9000  
DM9000-etc.sch



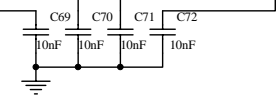
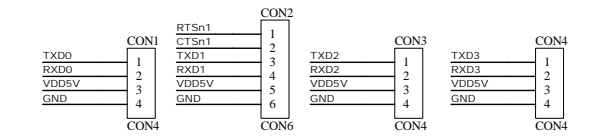
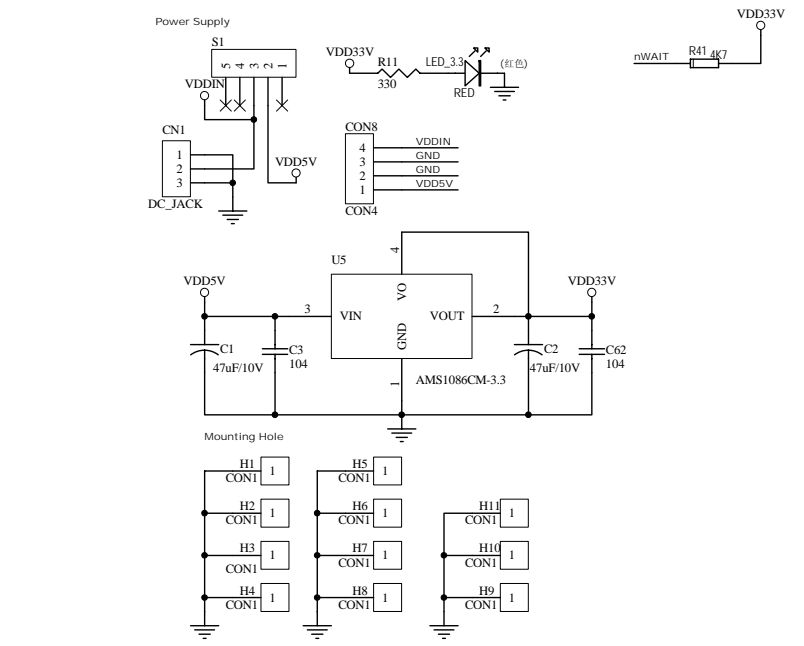
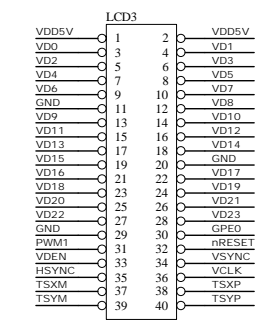
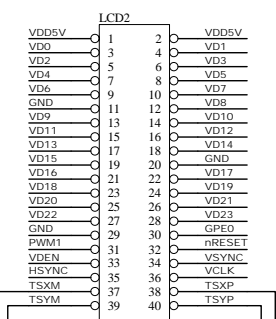
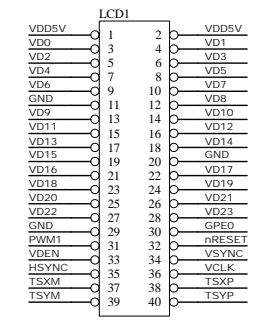
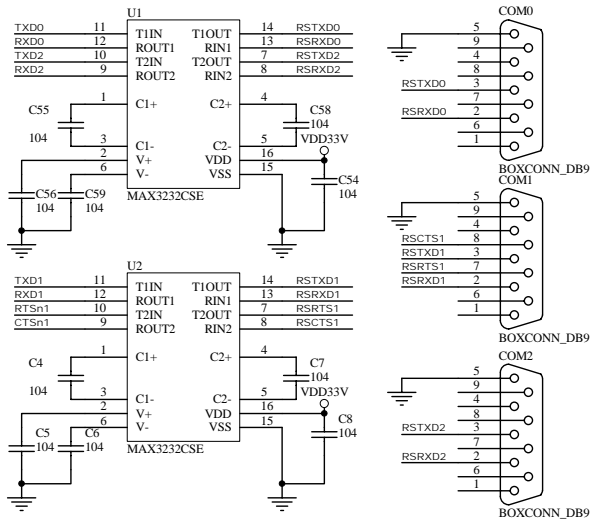
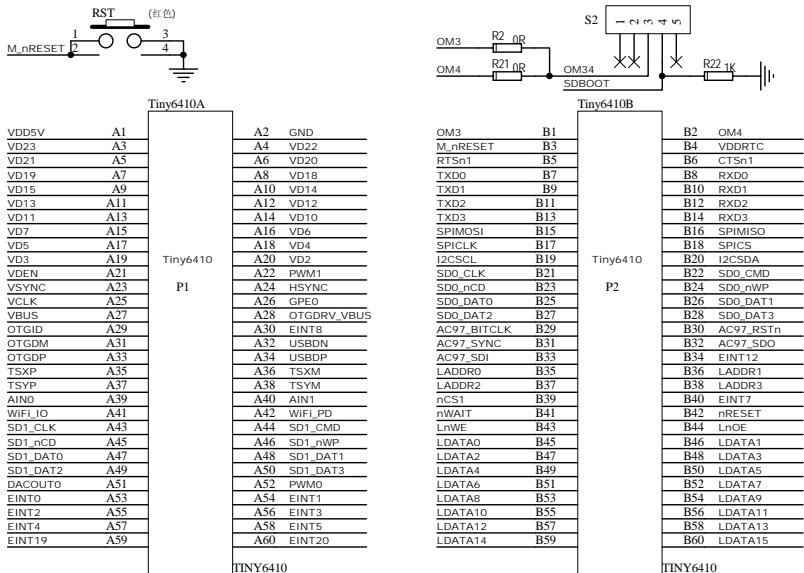
AC97  
AC97-etc.sch



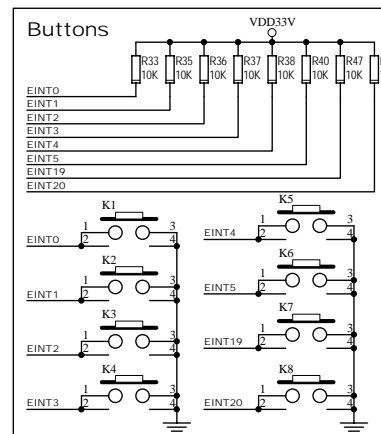
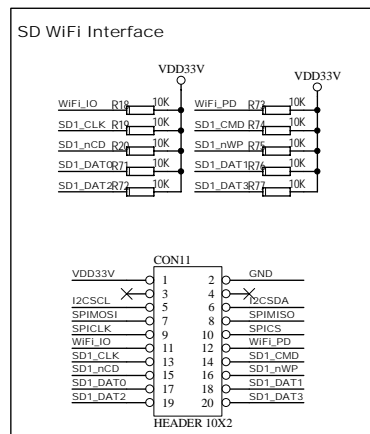
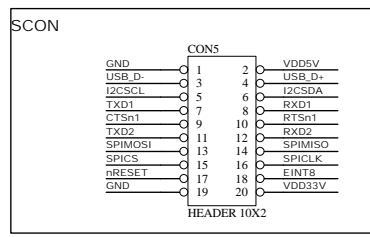
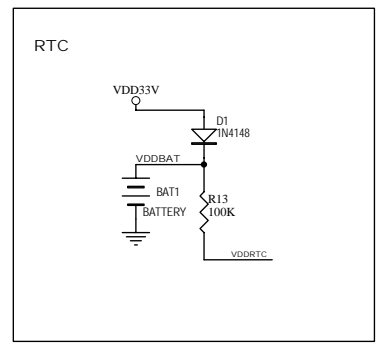
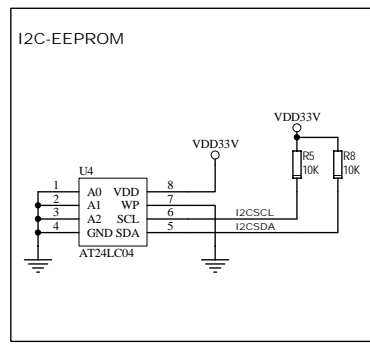
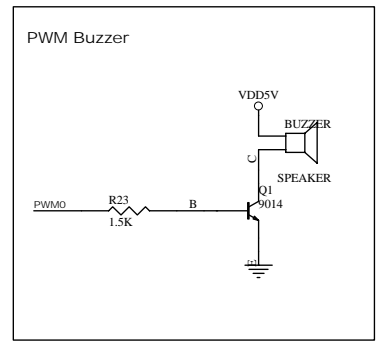
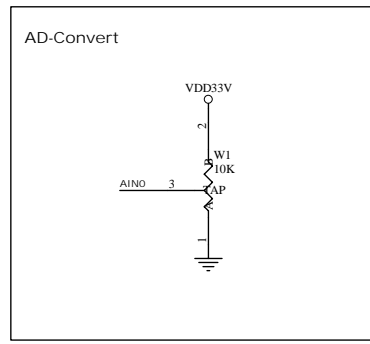
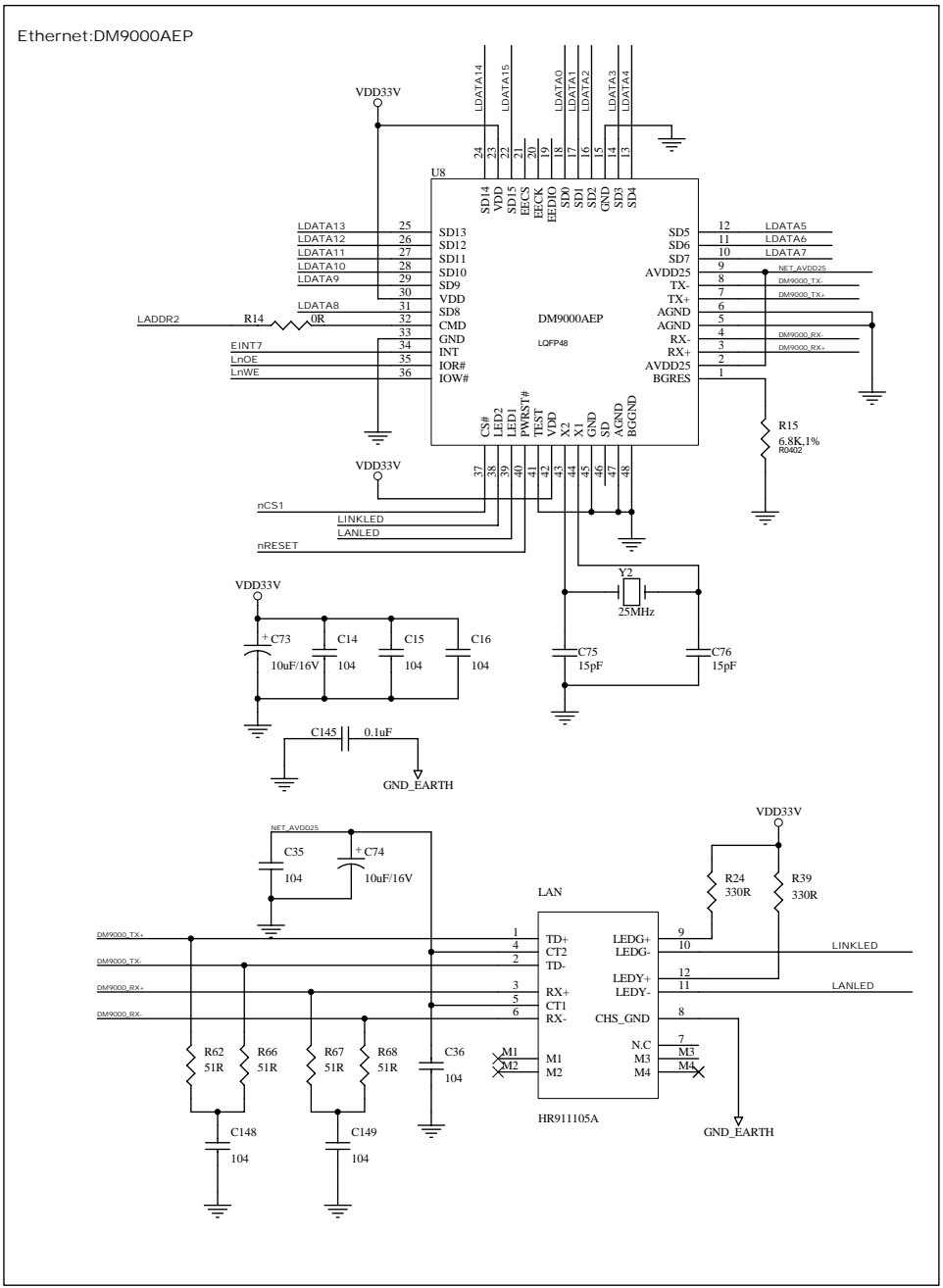
USB HUB  
USB-HUB.sch



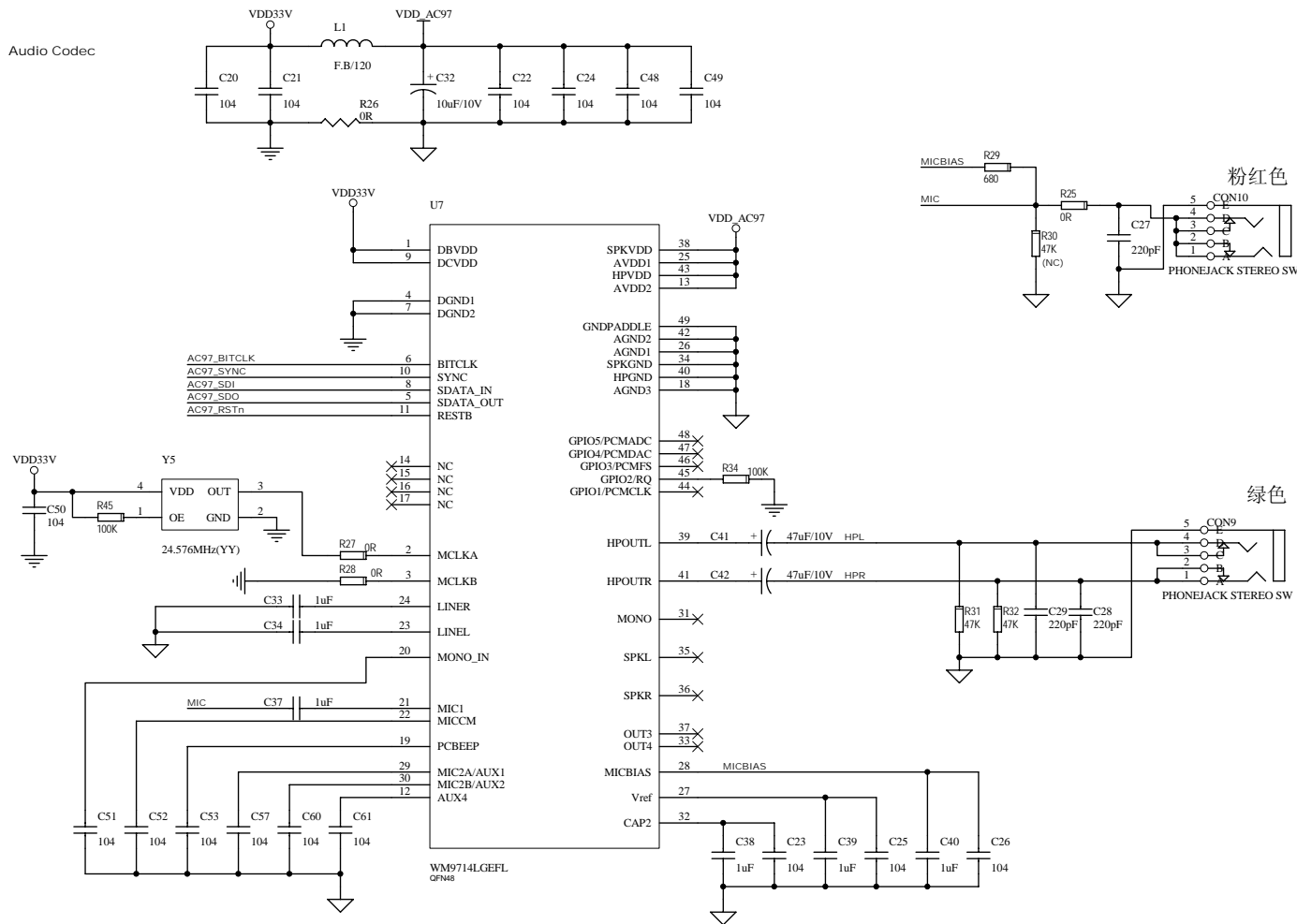
# Tiny6410SDK 1103



(GPE0 is used as OneWire)



Audio Codec



SDCARD

