

A

B

C

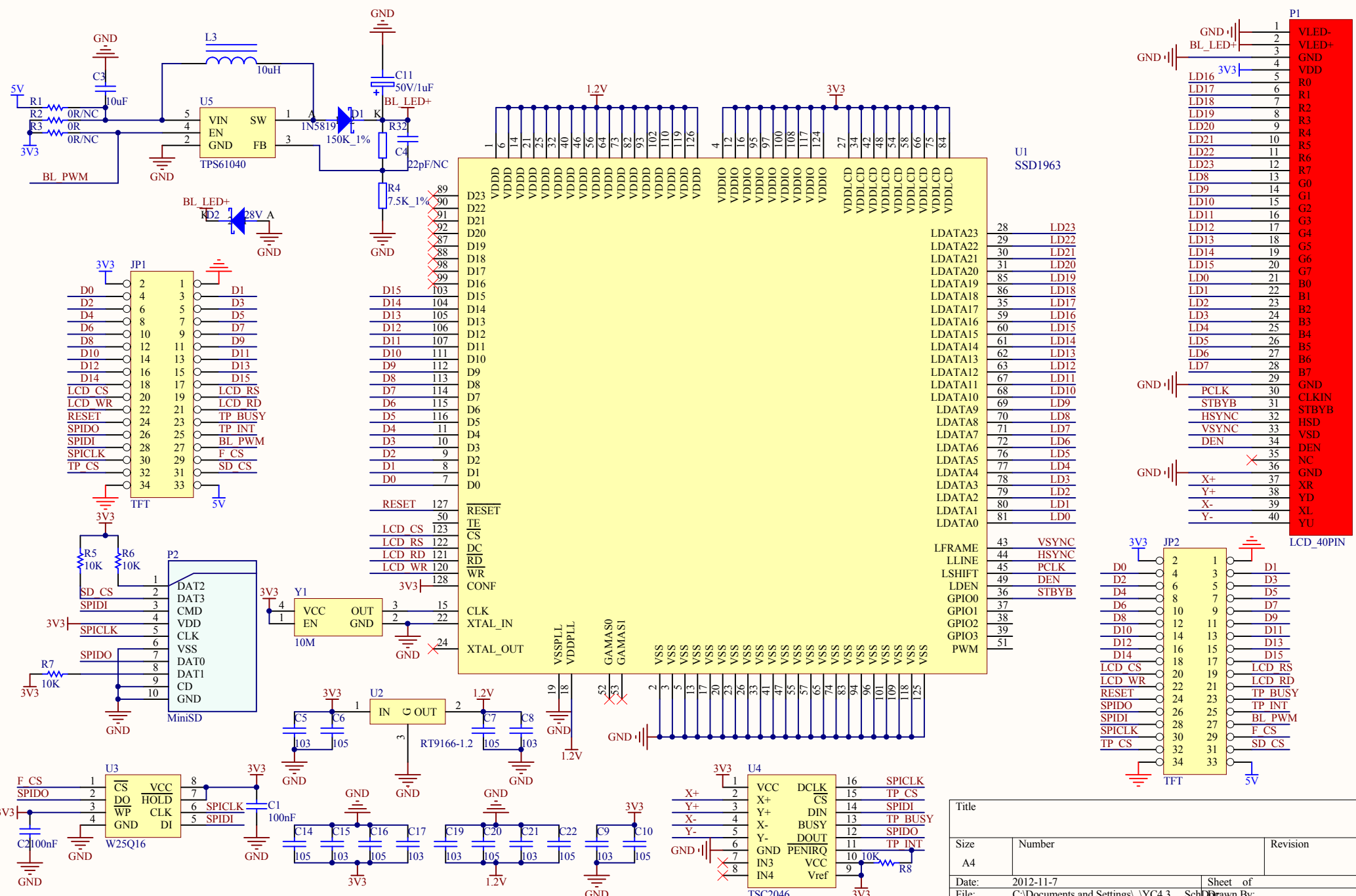
D

A

B

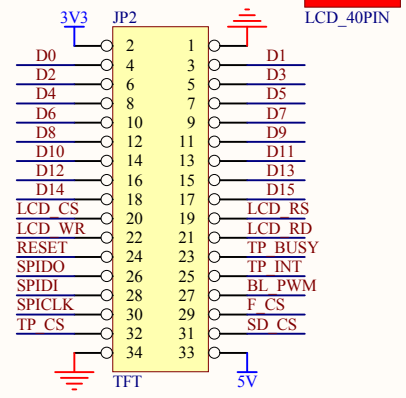
C

D



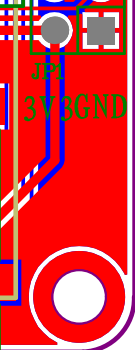
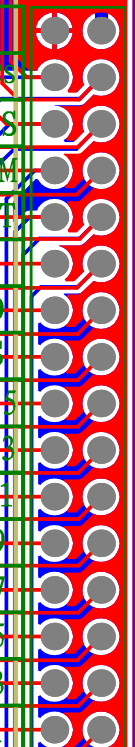
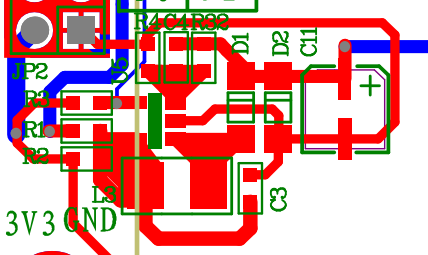
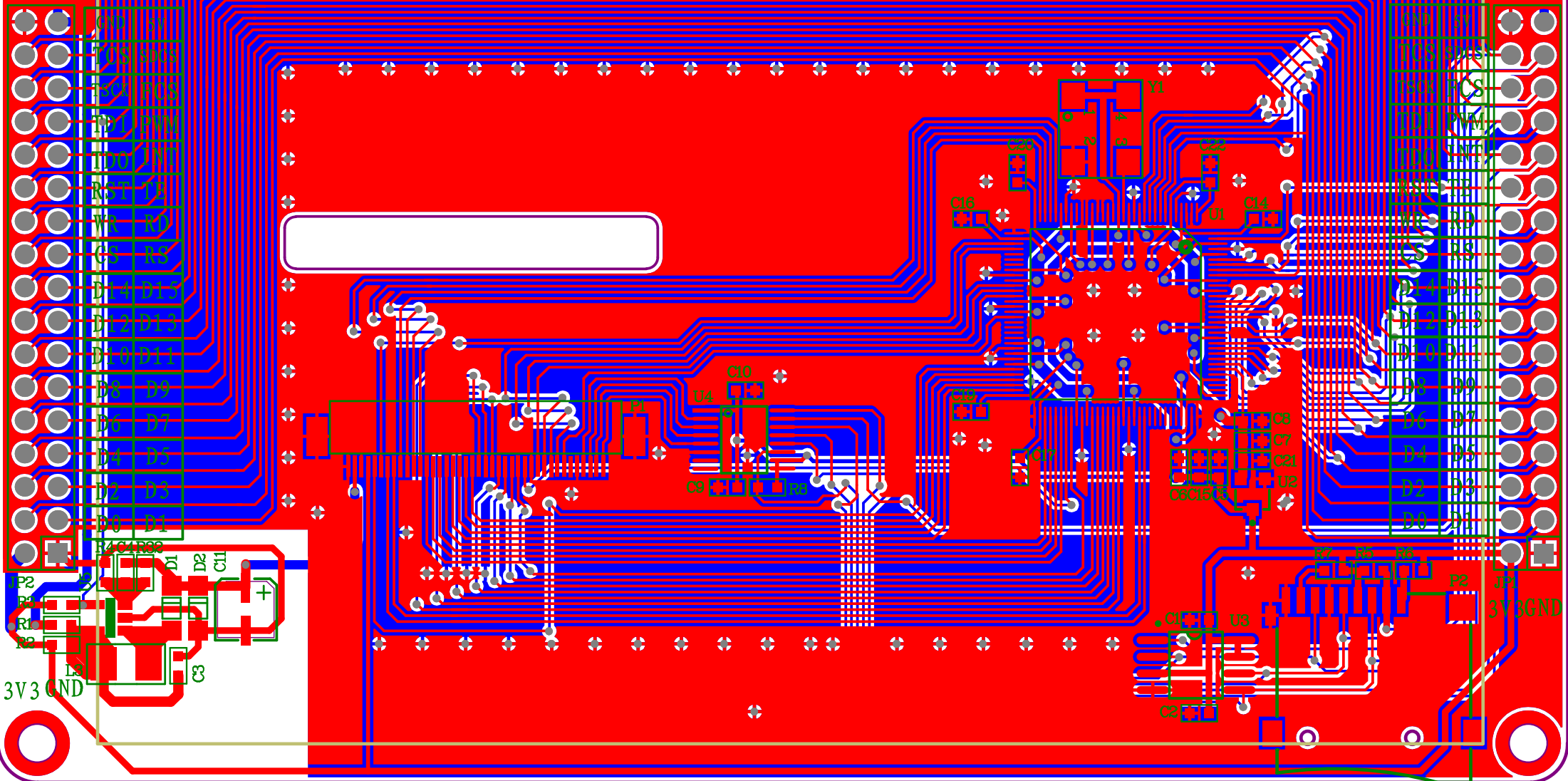
U1  
SSD1963

P1		
1	GND	VLED-
2	BL_LED+	VLED+
3	GND	GND
4	3V3	VDD
5	LD16	R0
6	LD17	R1
7	LD18	R2
8	LD19	R3
9	LD20	R4
10	LD21	R5
11	LD22	R6
12	LD23	R7
13	LD8	G0
14	LD9	G1
15	LD10	G2
16	LD11	G3
17	LD12	G4
18	LD13	G5
19	LD14	G6
20	LD15	G7
21	LD0	B0
22	LD1	B1
23	LD2	B2
24	LD3	B3
25	LD4	B4
26	LD5	B5
27	LD6	B6
28	LD7	B7
29	GND	GND
30	PCLK	CLKIN
31	STBYB	STBYB
32	HSYNC	HSD
33	VSYNC	VSD
34	DEN	DEN
35	NC	NC
36	X	GND
37	X+	XR
38	Y+	YD
39	X-	XL
40	Y-	YU



Title		
Size	Number	Revision
A4		
Date:	2012-11-7	Sheet of
File:	C:\Documents and Settings\... \YC4.3	Drawn By:

# 旺宝-4.3"TFT模块 (Model: WB-4.3"TFT)



Comment	Description	Designator	Footprint	LibRef	Quantity
100nF		C1, C2	0603R	CAP	2
10uF		C3	0603R	CAP	1
22pF/NC		C4	0603R	CAP	1
103	Capacitor	C5, C8, C9, C15, C17, C19, C21	0603R	CAP	7
105	Capacitor	C6, C7, C10, C14, C16, C20, C22	0603R	CAP	7
50V/1uF	Electrolytic Capacitor	C11	4*5.4	ELECTRO1	1
1N5819	Schottky Diode	D1	1206	DIODE SCHOTTKY	1
28V	Schottky Diode	D2	1206	DIODE SCHOTTKY	1
TFT		JP1, JP2	LCD	HEADER 16X2	2
10uH	Magnetic-Core Inductor	L3	1210L	Inductor Iron	1
LCD_40PIN		P1	FPC40	LCD_40PIN	1
MiniSD		P2	MiniSD Card	MiniSD Card	1
0R/NC		R1, R3	0603R	Res	2
0R		R2	0603R	Res	1
7.5K_1%		R4	0603R	RES2	1
10K		R5, R6, R7, R8	0603R	Res	4
150K_1%		R32	0603R	RES2	1
SSD1963		U1	LQFP128	SSD1963	1
RT9166-1.2		U2	SOT23	RT9166-1.2	1
W25Q16		U3	SO-8	W25Q16	1
TSC2046		U4	TSSOP16	TSC2046	1
TPS61040		U5	SOT23-5	TPS61040	1
10M		Y1	VCO	VCO	1